



### WARNING

The SKY-WEB II™ SYSTEM must be installed exactly as shown on erection drawings. Improper installation could result in serious injury or death.



### WARNING

The SKY-WEB II SYSTEM does not provide fall protection from heights greater than the plane of the roof.



### WARNING

Workers must use additional fall protection while installing the SKY-WEB II SYSTEM.



### CAUTION

Care must be used when pulling the SKY-WEB II SYSTEM over structurals to avoid snags, tears, or other damage.

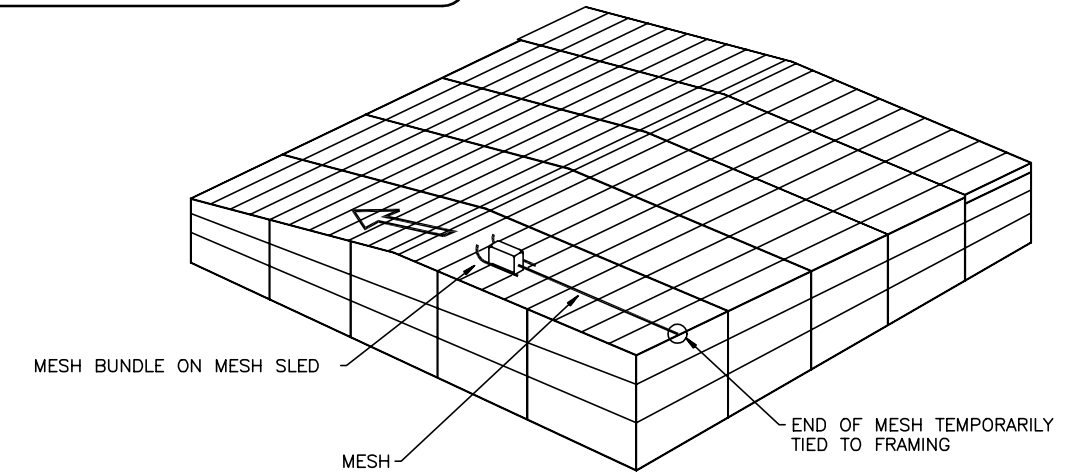
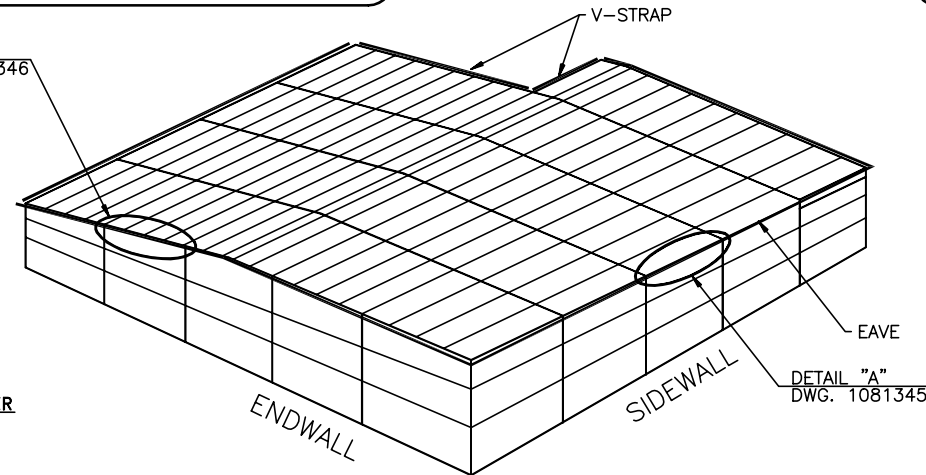
#### NOTE:

KEEP THE MESH COVERED AND PROTECTED FROM SUN AND WEATHER UNTIL TIME TO INSTALL IT. EXPOSURE TO CYCLES OF RAIN AND SUN MAY CAUSE THE KNOTS TO DRAW UP TIGHTER. THIS MAY MAKE THE OVERALL SIZE OF THE MESH SHRINK MAKING THE MESH HARDER TO INSTALL CORRECTLY.

#### NOTE:

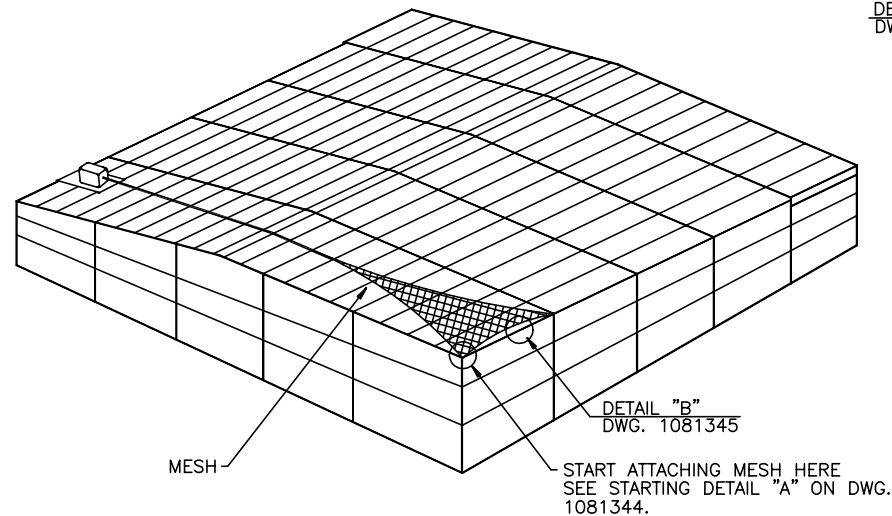
THE MESH MAY BE INSTALLED ALONG THE BUILDING RIGHT-TO-LEFT OR LEFT-TO-RIGHT. EITHER FACE OF THE MESH CAN BE INSTALLED FACING UP. THE EDGES OF THE MESH FOR INTERIOR BAYS ARE THE SAME AND MAY BE PLACED ON EITHER SIDE OF THE BAY. THE EDGES OF THE MESH FOR THE END BAYS ARE NOT THE SAME. **IT IS CRITICAL TO PLACE THE EDGE WITH THE ORANGE THREAD MARKER ON THE OUTSIDE EDGE OF THE END BAY.**

DETAIL "A"  
DWG. 1081346



#### STEP 1 LOCATE THE MESH AND PARTS

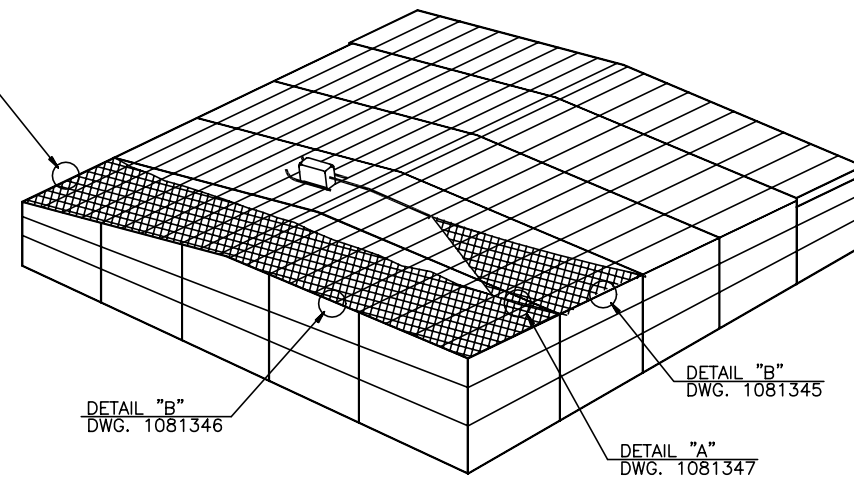
- EACH PACKAGE WILL BE MARKED "X" OF "TOTAL NUMBER" (FOR EXAMPLE, "1 OF 3"). MAKE SURE ALL PACKAGES ARE ON HAND.
- A COMPLETE INVENTORY OF ALL MESH AND SMALL PARTS SHOULD BE DONE IMMEDIATELY. MISSING PARTS MAY SHUT DOWN INSTALLATION.
- THE MESH WILL ARRIVE AT THE JOB SITE IN REINFORCED PLASTIC BAGS OR IN CARDBOARD BOXES.
- EACH MESH WILL HAVE A TAG ATTACHED ON ONE END OF THE MESH TO IDENTIFY ON WHICH BAY(S) IT SHOULD BE INSTALLED. **THE MESH FOR END BAYS WILL HAVE AN ORANGE TAG. THE MESH FOR INTERIOR BAYS WILL HAVE A WHITE TAG.**
- THE SMALL PARTS AND FASTENERS NEEDED FOR INSTALLATION WILL ARRIVE AT THE JOB SITE IN A CARDBOARD BOX.
- INSTALLATION INSTRUCTIONS ARE LOCATED IN THE SMALL PARTS BOX. READ AND UNDERSTAND ALL INSTRUCTIONS BEFORE STARTING INSTALLATION.



#### STEP 2 ATTACH V STRAPS AND WIRE CLIPS

- START INSTALLING THE V-STRAPS AT A CORNER. THIS SHOULD BE THE SAME CORNER WHERE THE INSTALLATION OF THE MESH WILL BE STARTED. (SEE DETAIL "A" DWG. 1081344)
- INSTALL V-STRAPS TO THE FRAMING ON THE ENTIRE PERIMETER OF THE BUILDING. (SEE DETAIL "A" DWG. 1081345 FOR SIDEWALLS AND DETAIL "A" DWG. 1081346 FOR ENDWALLS)
- THE V-STRAPS COME TO THE JOB SITE WITH THE WIRE CLIPS ALREADY ATTACHED EXCEPT AT THE ENDS OF THE V-STRAP. INSTALL THE WIRE CLIP IN THE SLOT OF BOTH V-STRAPS WHERE THE V-STRAPS OVERLAP.

DETAIL "B"  
DWG. 1081345



#### STEP 4 ATTACH MESH TO V-STRAPS

- AT THE FAR EAVE, LEAVE THE MESH ON THE SLED OR PLACE IT ON A TEMPORARY PLYWOOD PLATFORM. DO NOT HANG MESH OVER THE EAVE.
- STARTING AT THE EAVE, STRETCH THE MESH ACROSS THE WIDTH OF THE BAY (OR TWO BAYS IF THE MESH IS MADE TO COVER TWO BAYS).
- STARTING AT THE CORNER WHERE THE INSTALLATION OF THE V-STRAPS WAS STARTED, LOOP THE MESH INTO THE WIRE CLIPS AT THE CORNER (SEE DETAIL "A" DWG. 1081344) AND ALONG THE SIDEWALL (SEE DETAIL "B" DWG. 1081345).
- NEXT LOOP THE MESH INTO THE WIRE CLIPS ALONG THE ENDWALL (SEE DETAIL "B" DWG. 1081346).
- WHEN PROPERLY INSTALLED THERE MAY STILL BE EXTRA LENGTH OF MESH AT THE EAVE, THIS IS NORMAL.

#### STEP 5 CONTINUE INSTALLATION ON OTHER BAYS

- REPEAT STEP 3.
- REPEAT STEP 4 EXCEPT AS NOTED BELOW.
- LOOP THE MESH INTO THE WIRE CLIPS ALONG THE EAVE FIRST. (SEE DETAILS "B" & "C" DWG. 1081345).
- STARTING AT THE EAVE, SPLICE THE PIECES OF MESH TOGETHER (SEE DETAIL "A" DWG. 1081347).

#### STEP 3 STRING MESH OVER FRAMING

- PLACE THE BAG WITH THE MESH AT THE EDGE OF THE ROOF FRAMING. IF THE MESH IS TO COVER ONLY ONE BAY, THEN PLACE THE BAG IN THE CENTER OF THE BAY. IF THE MESH IS MADE TO COVER TWO BAYS, THEN PLACE THE BAG IN THE CENTER OF THE COMBINED BAYS.
- DO NOT OPEN THE BAG. LOCATE THE WHITE OR ORANGE TAG THAT IS TIED TO THE MESH WITH A GREEN TWINE. CUT OPEN THE BAG AT THE TAG END. PULL ON THE SMALL ROPE THAT IS ATTACHED TO GREEN TWINE AND FEED OUT A SHORT LENGTH OF MESH. DO NOT CUT THE SMALL ROPE.
- TEMPORARILY TIE THE ROPE TO THE ROOF FRAMING.
- PULL THE BAG ACROSS THE ROOF FRAMING ALLOWING THE MESH TO STRING OUT OF THE BAG. ONLY STRING OUT A WORKABLE LENGTH OF MESH, APPROXIMATELY 100 TO 150 FEET. THE PATENTED SKY-WEB II MESH SLED IS OPTIONAL AND RECOMMEND FOR MOVING THE BAG ACROSS THE FRAMING FOR BUILDINGS OVER 100 FEET WIDE. DRAWINGS FOR THE MESH SLED ARE SHIPPED WITH THE MESH SLED.
- ON SMALL BUILDINGS, THE MESH MAY BE STRUNG OVER THE FRAMING BY PULLING THE TAG END OF THE MESH ACROSS THE FRAMING. THE BAG MAY BE SET ON A TEMPORARY PLYWOOD PLATFORM AT THE EAVE OR LEFT ON THE GROUND, FOR SHORT BUILDINGS, AS THE MESH IS STRUNG OUT.

#### STEP 6 INSTALLING MESH ON THE LAST BAY

- ON THE LAST BAY, THE END BAY, ATTACH THE MESH ALONG THE ENDWALL FIRST.
- THEN START ATTACHING THE MESH ALONG THE SIDEWALLS STARTING AT THE OUTSIDE CORNER AND WORKING TOWARD THE INTERIOR BAYS.

#### STEP 7 (OPTIONAL)

- AFTER ALL MESH IS COMPLETELY INSTALLED, ANY EXTRA LENGTH OF MESH AT THE SIDEWALLS MAY BE CUT OFF.

GROUP 01-019-01 DRAWING NUMBER B 1081343 REV. 02



AISC Certified for Design & Fabrication

THIS PRINT SUBJECT TO CHANGE WITHOUT NOTICE. FOR BUILDING ERECTION ALWAYS USE THE PRINTS RECEIVED WITH THE BUILDING SHIPMENT.

SKY-WEB II™

INSTALLATION SEQUENCE

ALL BUILDINGS



BUTLER MANUFACTURING COMPANY

DATE 12/09/99 GROUP 01-019-01

DRAWING NUMBER

B 1081343 02