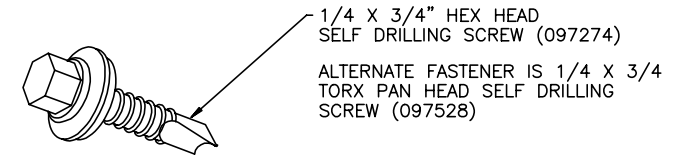
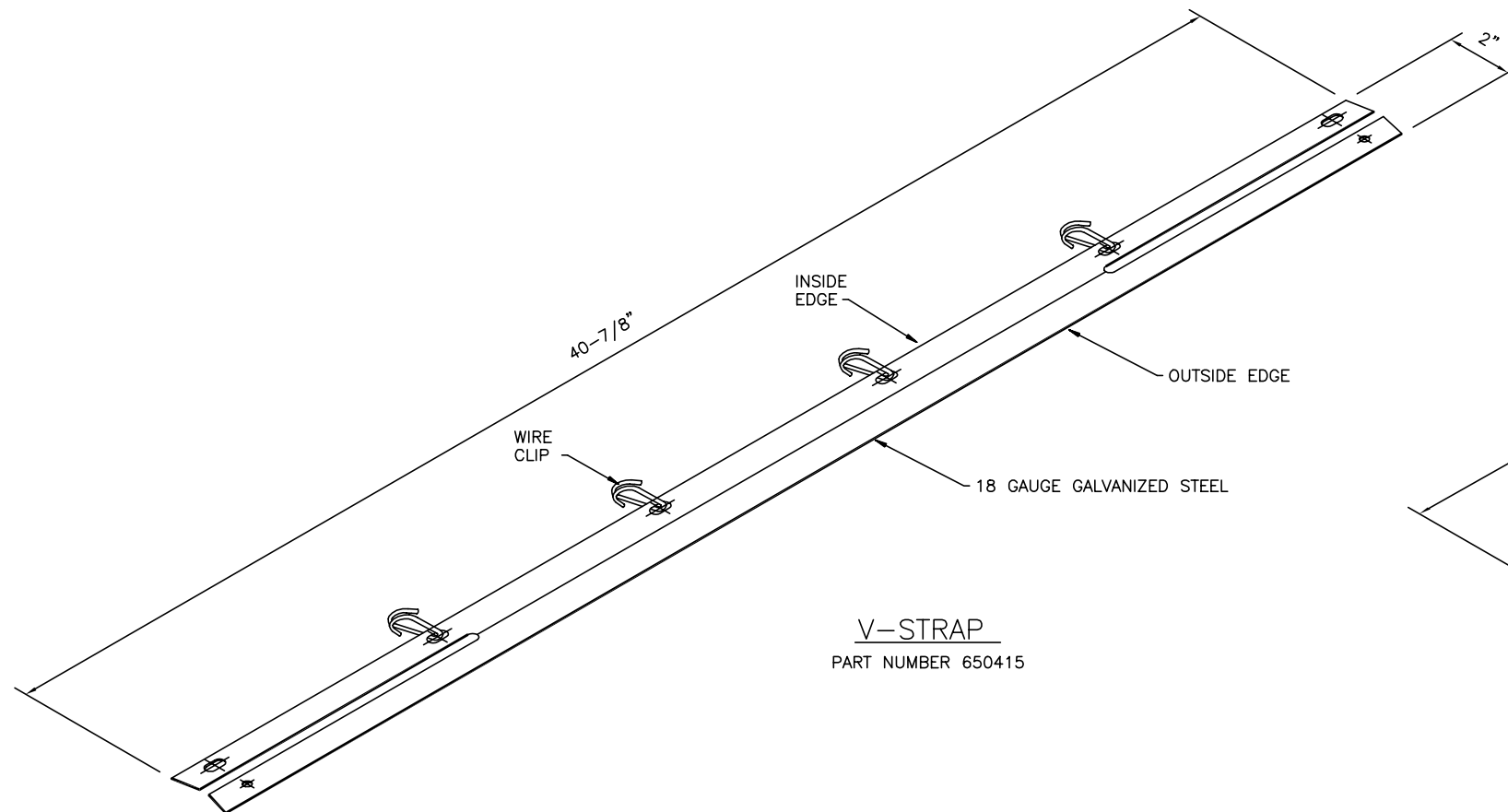


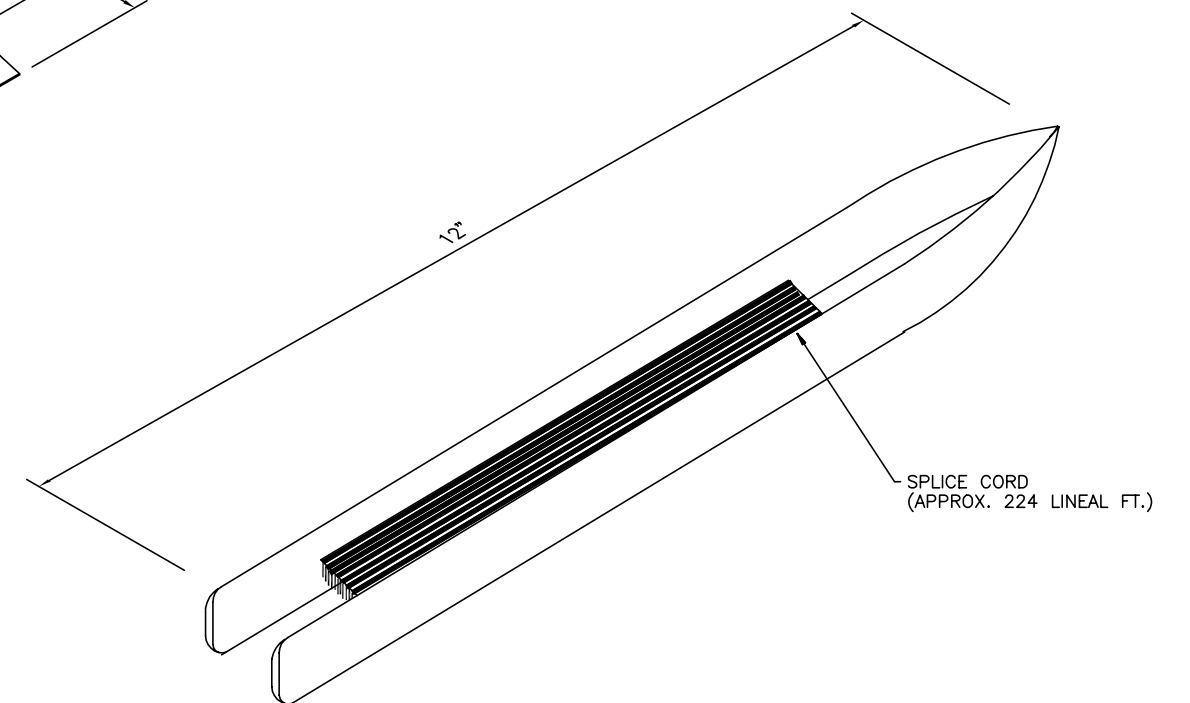
WIRE CLIP
PART NUMBER 650414



V-STRAP SELF DRILLING SCREW



V-STRAP
PART NUMBER 650415



SPLICE CORD "MESH NEEDLE"

GROUP	DRAWING NUMBER	REV.
01-019-01	B 1081341	05



AISC Certified
for Design & Fabrication

THIS PRINT SUBJECT TO CHANGE WITHOUT NOTICE.
FOR BUILDING ERECTION ALWAYS USE THE PRINTS
RECEIVED WITH THE BUILDING SHIPMENT.

SKY-WEB II™

PARTS IDENTIFICATION

ALL BUILDINGS



BUTLER
MANUFACTURING
COMPANY

DATE
09/02/05
GROUP
01-019-01

DRAWING NUMBER

B 1081341 05

REV.