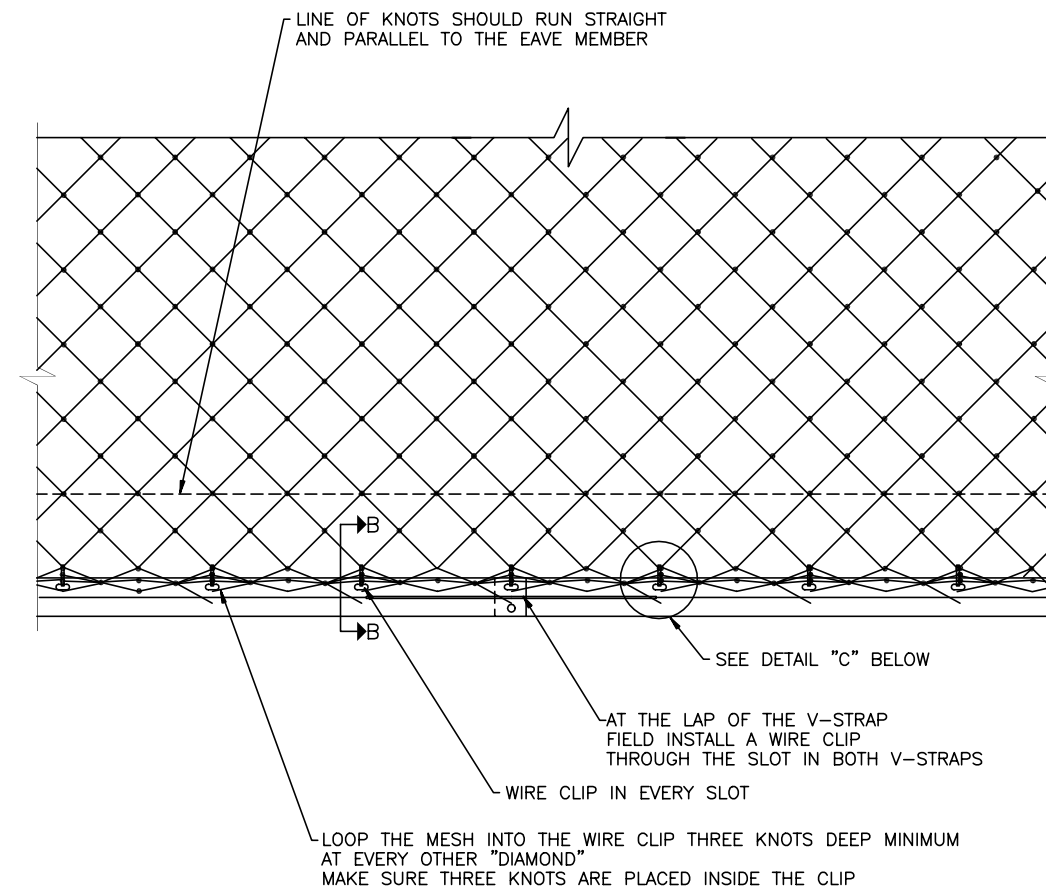
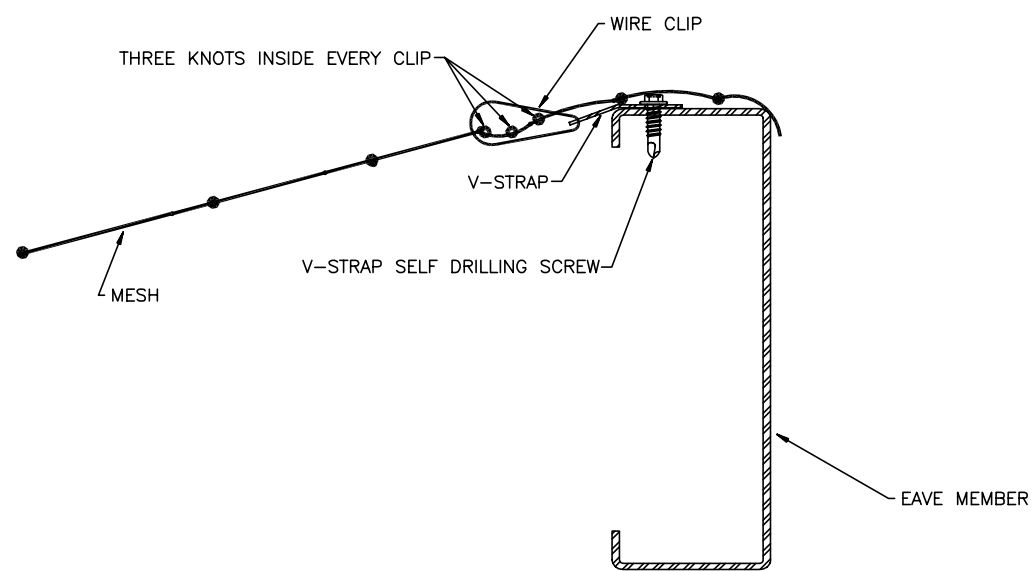


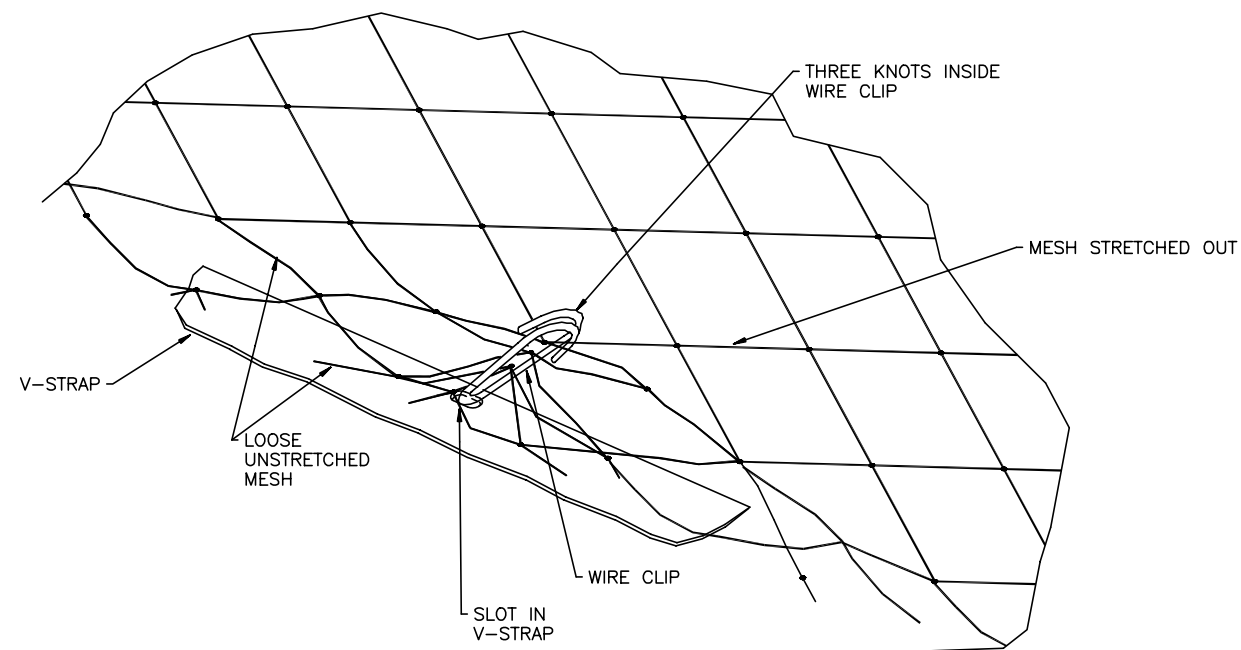
DETAIL A
EXPLODED VIEW



DETAIL B
TYPICAL PLAN VIEW AT SIDEWALL



SECTION B-B
TYPICAL AT SIDEWALL



DETAIL C
WIRE CLIP AT SIDEWALL

GROUP	DRAWING NUMBER	REV.
01-019-01	B 1081345	00



AISC Certified
for Design & Fabrication

THIS PRINT SUBJECT TO CHANGE WITHOUT NOTICE.
FOR BUILDING ERECTION ALWAYS USE THE PRINTS
RECEIVED WITH THE BUILDING SHIPMENT.

SKY-WEB II™

SIDEWALL DETAILS

ALL BUILDINGS



BUTLER
MANUFACTURING
COMPANY

DATE
09/28/98

GROUP
01-019-01

DRAWING NUMBER
REV.
B 1081345 00