

# Hunter Xci Polyiso Installation Guide

Hunter Xci Foil, Hunter Xci Class A, Hunter Xci 286 and Hunter Xci CG

## **CHAPTER 2** Polyiso Used As An Air Barrier



# HUNTER Xci POLYISOCYANURATE USED AS AN AIR BARRIER INSTALLATION GUIDELINES

HUNTER  
CONTINUOUS INSULATION

## TABLE OF CONTENTS

<b>Installation Guidelines</b> .....	<b>4</b>
<b>Coordination</b> .....	<b>5</b>
<b>Substrate</b> .....	<b>5</b>
<b>Project/Site Conditions</b> .....	<b>5</b>
<b>Delivery, Storage and Handling</b> .....	<b>5</b>
<b>Application</b> .....	<b>6-10</b>
XCI 0A.....	6-7
Application – Caulking Sealant/Adhesives. - Expansion Joints .....	8
Application – Mechanical Fasteners – Rodenhouse and Wind-Lock .....	9
Application – Fastening - Approved Foil Faced Tape.....	10
Application – Foil Grip 1402 – Flashing.....	10
 <b>XCI AB 1</b>	
4' x 8' Hunter Xci Polyiso Over Steel Stud/ Standard or FRT Wood Framing with Exterior Gypsum/Plywood/ OSB Sheathing.....	11
 <b>XCI AB 2</b>	
4' x 8' Hunter Xci Polyiso Over Steel Stud/Standard or FRT Wood Framing with Exterior Gypsum/ Plywood/OSB Sheathing and Air/Vapor/ Water Resistive Barrier .....	12
 <b>XCI AB 3A</b>	
4' x 8' Polyiso Insulation with Brick-Ties.....	13
 <b>XCI AB 3B</b>	
16" or 24" Polyiso Insulation with Brick-Ties .....	14
 <b>XCI AB 3C</b>	
16" or 24" Polyiso Insulation with Brick-Ties .....	14
 <b>XCI AB 4</b>	
Installation of 16" x 8' Hunter Xci Polyiso Over CMU and with Brick-Ties Already in Place .....	15



## TABLE OF CONTENTS CONTINUED

<b>XCI AB 5</b>	Polyiso Insulation Foundation Tie-in .....	16
<b>XCI AB 6</b>	Polyiso Insulation Punched Window - Sill .....	17
<b>XCI AB 7</b>	Polyiso Insulation Punched Window- Jamb .....	18
<b>XCI AB 8</b>	Polyiso Insulation Punched Window - Head .....	19
<b>XCI AB 9</b>	Polyiso Insulation Shelf Angle .....	20
<b>XCI AB 10</b>	Polyiso Insulation at Parapet .....	21
<b>XCI AB 11</b>	Vertical Expansion Joint .....	22
<b>XCI AB 12</b>	Outside/Inside Corners .....	23
<b>XCI AB 13</b>	Mechanical/Electrical Penetrations .....	24
<b>XCI AB 14</b>	Termination at Existing Construction .....	25
<b>Repair and Protection</b> .....		<b>26</b>
<b>Hunter Xci Insulation Fastener Specifications</b> .....		<b>27</b>



# HUNTER Xci POLYISOCYANURATE USED AS AN AIR BARRIER INSTALLATION GUIDELINES

---

HUNTER  
CONTINUOUS INSULATION

This application guide has been assembled to assist in the application of Hunter Xci polyisocyanurate (polyiso) insulation board and is intended to offer guidance to the construction community. It is intended to be used in conjunction with current Hunter published literature. Other acceptable methods of application that are not depicted in this guide may be incorporated during construction provided all applications follow proven and sound construction techniques.

## **COORDINATION**

- Pre-construction meeting shall cover all decisions pertaining to design so that the Hunter Xci polyiso is properly installed.
- Review submittals, surface preparation, installation procedures, special details, sequence of construction, responsibilities, mock-up requirements, inspection, testing and repair procedures.
- Mock-up shall establish procedures and workmanship that must be followed during installation.
- Review adjacent construction materials such as windows, doors, ducts, and other penetrations for conformance to manufacturer's application instructions.
- Sequence and schedule installation of flashing and sealant to prevent damage and water infiltration.
- Refer to project-specific contract documentation for components manufactured by others.

## **SUBSTRATE**

- Sheathing boards shall be flush at joints, with gap between boards according to building code and sheathing manufacturer's requirements.
- Sheathing boards shall also be securely fastened to the structure with proper fastener type, technique and spacing according to building code and sheathing manufacturer's requirements.
- Substrate shall be dry, clean, sound, and free of dust, dirt, residue and all other surface contaminants.
- Prevent the accumulation of water infiltration behind the substrate.
- Hunter Xci polyiso is not intended for use below grade.
- Unsatisfactory conditions shall be reported and corrected prior to application of Hunter Xci polyiso insulation board.

## **PROJECT/SITE CONDITIONS**

- Do not adhesively apply Hunter Xci polyiso and associated materials in ambient and substrate temperatures below 25°F. Provide properly vented, supplementary heat during adhesive installation and drying period when temperatures less than 25°F prevail.
- Do not adhesively apply Hunter Xci polyiso and associated materials to damp or frozen surfaces.
- Do not adhesively apply Hunter Xci polyiso in rain or if rain is expected a minimum of 16 hours after installation.
- Protrusions, mortar droppings shall be removed from surfaces and brick-ties to facilitate fit and finish of Hunter Xci polyiso.
- Limit exposure of Hunter Xci Foil, Hunter Xci CG, Hunter Xci 286, Hunter Xci Class A, and accessory products to a maximum of 60 days. If exposure limitation is exceeded, cover Hunter Xci polyiso with building wrap.

## **DELIVERY, STORAGE AND HANDLING**

- Protect Hunter Xci polyiso during transportation, storage, and installation to avoid physical damage.
- Store Hunter Xci polyiso insulation boards flat and protected from direct sunlight and extreme heat.
- If stored outdoors, keep Hunter Xci polyiso in a dry place protected from exposure to moisture off the ground and covered with a waterproof tarpaulin.



# HUNTER Xci POLYISOCYANURATE USED AS AN AIR BARRIER

## INSTALLATION GUIDELINES

---

HUNTER  
CONTINUOUS INSULATION

### APPLICATION

- Protect surrounding areas and surfaces from damage.
- Hunter Xci polyiso shall be installed continuously and appropriately secured to deliver its maximum impact on building energy efficiency.
- Hunter Xci polyiso shall not be applied over walls while they are vulnerable to water intrusion from above or behind.
- Do not block flashing, weeps or other drainage paths with Hunter Xci polyiso insulation board.
- Ensure that a pinhole void free vapor/air/water resistive barrier application is achieved prior to Hunter Xci polyiso installation if called for by the design professional on the job.
- Begin at base of wall from firm, permanent, or temporary support.
- Apply Hunter Xci polyiso horizontally in a running bond pattern using maximum board lengths to minimize number of joints. Offset Hunter Xci polyiso board joints minimum 6". Hunter Xci polyiso may be applied vertically as required.
- Pre-cut Hunter Xci polyiso to fit openings and projections. Stagger vertical joints and corners. Stagger insulation and sheathing board joints minimum 6". Hunter Xci polyiso insulation boards are cut with a knife using a square to guide the cut or table saw.
- Abut all joints tightly and ensure overall flush level surface.
- Mechanically fasten Hunter Xci polyiso in accordance with proper fastening pattern as indicated. Space fasteners 12" o.c. at perimeter and 16" o.c. in the field. Set back perimeter fasteners 3/8" from board edges and end. One washer may be used to bridge adjoining boards.

**Note:** (XCI 0A): Where Hunter Xci polyiso is installed by the same trade as the cladding, or in close cooperation with that trade: cladding attachment hardware can supplement or replace the insulation fasteners and insulation adhesive. Cladding fasteners fulfilling insulation attachment function shall be designed for this function. If the cladding attachment is 16" o.c. or closer, and it tightly secures the insulation, no additional fastening or adhesive is required.

- When adhesive is used periodically verify adhesion. Properly installed adhesively applied Hunter Xci polyiso cohesively break while still wet and destroy the substrate when dry.
- Install Hunter Xci polyiso in accordance with proper adhesive pattern as indicated in these instructions. A drainage plane is maintained when using recommended adhesive pattern.
- Fill gaps between insulation boards with expanding spray foam or butter edge of board with approved sealant and strike flush. Expanding spray foam may also be applied onto the insulation board edges during installation.
- Honor expansion joints as indicated on the drawings. Do not span expansion joints.
- During installation take precaution to minimize moisture intrusion behind Hunter Xci polyiso.
- Verify all materials are installed in accordance with current Hunter Panels published literature and local code requirements.



## Fastening Continuous Wall Insulation

## XCI 0A

- Mechanically fasten Hunter Xci in accordance with proper fastening pattern as indicated. Space fasteners 12" o.c. at perimeter and 16" o.c. in the field. Set back perimeter fasteners 3/8" from board edges and end. One washer may be used to bridge adjoining boards. **Note:** Where Hunter Xci polyiso is installed by the same trade as the cladding, or in close cooperation with that trade: cladding attachment hardware can supplement or replace the insulation fasteners and insulation adhesive. Cladding fasteners fulfilling insulation attachment function shall be designed for this function. If the cladding attachment is 16" o.c. or closer, and it tightly secures the insulation, no additional fastening or adhesive is required.
- When adhesive is used periodically verify adhesion. Properly installed adhesively applied Hunter Xci polyiso cohesively break while still wet and destroy the substrate when dry.
- Install Hunter Xci polyiso in accordance with proper adhesive pattern as indicated in these instructions. A drainage plane is maintained when using recommended adhesive pattern.
- Fill gaps between insulation boards with expanding spray foam or butter edge of board with approved sealant and strike flush. Expanding spray foam may also be applied onto the insulation board edges during installation.
- Honor expansion joints as indicated on the drawings. Do not span expansion joints.
- During installation take precaution to minimize moisture intrusion behind Hunter Xci polyiso.
- Verify all materials are installed in accordance with current Hunter published literature and local code requirements.



# HUNTER Xci POLYISOCYANURATE USED AS AN AIR BARRIER INSTALLATION GUIDELINES

---

HUNTER  
CONTINUOUS INSULATION

## CAULKING SEALANT/ADHESIVES

Sealants used to seal Hunter Xci polyiso insulation board gaps and gaps around penetrations where necessary. Adhesives may be used to help secure board where necessary.

During sealant installation ensure the sealant only bonds to two surfaces. It should not bond to a third surface; if it does the sealant will not properly perform. Follow sealant manufacturer's suggested application process.

**NOTE:** Follow application instructions by sealant manufacturer. Do not install one-part sealants into joints exceeding 1/2" depth.

- CCW LM-800XL
- Sure-Seal Lap Sealant
- CCW-201
- Sure-Seal Universal Single-Ply Sealant
- Sikaflex -1A and 2C NS
- NovaLink by Chem Link
- NOVA-FLEX Multipurpose Adhesive Sealant
- Pecora Dynotrol I & II
- Sonneborn® NP1 & NP2™
- GE Silpruf, Silpruf LM
- Pecora 890, 895
- PL® 300 Foamboard adhesive by Loctite®
- Sonneborn Premium Adhesive by BASF
- Others as approved by Hunter Panels

**Foam Sealant** – TVM Fireblock Gun Foam can be used to fill Hunter Xci polyiso insulation board gaps. This orange-colored foam sealant expands to take the shape of the void, creating an airtight and water-resistant bond to the Hunter Xci polyiso. Application surfaces must be free of dust, debris, grease, and other contaminants that will adversely affect the bond. Moistening of the application surface will improve adhesion and cure while resulting in a more dense cellular structure. Installs in minutes and skin formation occurs in 10 minutes. Full cure time is 12-24 hours depending on project-specific weather conditions. Contact TVM Building Products directly for distribution locations and other questions relating to the Foam Sealant at 1-800-216-1223. Other similar products as approved by Hunter Panels may also be used.



## EXPANSION JOINTS

Expansion joint placement and design is determined by the design professional. As a general guideline, expansion joints are installed at:

- Floor lines in multi-level wood frame construction
- Dissimilar substrates, materials or construction
- Joints that already exist in the substrate or support construction
- Changes in building height, shape or structural system
- Other areas of anticipated movement
- Between pre-fabricated panels

For specific expansion joint related questions regarding placement and design, Hunter Panels recommends that you contact the design professional.

## RODENHOUSE MECHANICAL FASTENERS

Rodenhouse, Inc. Thermal Grip® ci washers with Grip-Deck® screws are recommended for steel or wood substrates. For concrete/block/masonry substrates Plasti-Grip® PMF fasteners are recommended. Fasten Hunter Xci polyiso insulation board to steel framing member with appropriate length fastener min. 4 threads of the fastener into steel framing and min. 1" into wood framing. Space fasteners 12" o.c. at perimeter (when able) and 16" o.c. in the field. Set back perimeter fasteners 3/8" from board edges and end. One washer may be used to bridge adjoining boards. The large 2" diameter of the Thermal Grip ci washer prevents blow-offs and provides excellent wind load resistance. When installed correctly, the Thermal Grip ci washer can effectively seal the screw penetration against air and moisture. Grip-Deck screws are provided in 1¼" – 6" in self-drilling or coarse thread for steel or wood framing. Coated screws are available for premium corrosion protection. Contact Rodenhouse, Inc. directly for distribution locations and other questions relating to the washer at 1-616-454-3100 (or toll free at 1-800-249-4747) or visit [www.rodenhouse-inc.com](http://www.rodenhouse-inc.com)

## WIND-LOCK MECHANICAL FASTENERS

Wind-lock ci-LOCK continuous insulation fasteners are recommended for use with steel or wood substrates. These ci-LOCK fasteners combine highly coated, corrosion resistant self-tapping screws with high-grade polypropylene plates. The unique design allows the plate to flatten out during application. Large ribs stiffen the plate and limit deflection. As the EIFS industry leading "fastener of choice", Wind-lock has been providing mechanical fastening solutions for continuous insulation systems since 1985. With the ci-LOCK continuous insulation fastener, Wind-lock has taken the next step in leading the attachment of the newest generation of continuous insulation systems. Contact Wind-lock directly for distribution locations and other questions relating to their fasteners at 800-872-5625, or visit [www.wind-lock.com](http://www.wind-lock.com).

## NOTES

- 1 Take special care to avoid damage to the Hunter Xci polyiso during mechanical attachment. Other washers/fasteners designed specifically for rigid foam insulation application may be used.



# HUNTER Xci POLYISOCYANURATE USED AS AN AIR BARRIER INSTALLATION GUIDELINES

---

HUNTER  
CONTINUOUS INSULATION

## FOIL-GRIP 1402 OR APPROVED EQUIVALENT

- Verify surface is clean and free of surface contaminants.
- 4" or 6" FOIL-GRIP 1402 may be used to treat the Hunter Xci polyiso insulation board joints; ensure FOIL-GRIP 1402 (or approved equivalent) extends past the washer a minimum of  $\frac{3}{4}$ ".
- Cut FOIL-GRIP 1402 (or approved equivalent) to desired length and apply ensuring a minimum 3" horizontal overlap and 5" vertical overlap, avoiding formation of wrinkles or bubbles. Firmly roll the FOIL-GRIP 1402 with hand roller to strengthen adhesion.
- Sequence installation of FOIL-GRIP 1402 (or approved equivalent) to form shingled laps.
- FOIL-GRIP 1402 (or approved equivalent) is used to cover all insulation fasteners.
- When applying veneer anchor brick-ties, FOIL-GRIP 1402 (or approved equivalent) is applied under the brick-tie prior to mechanical installation.
- Contact adhesive is required when applying FOIL-GRIP 1402 in temperatures between 25°F and 40°F. Do not apply in temperatures below 25°F.

## FLASHING

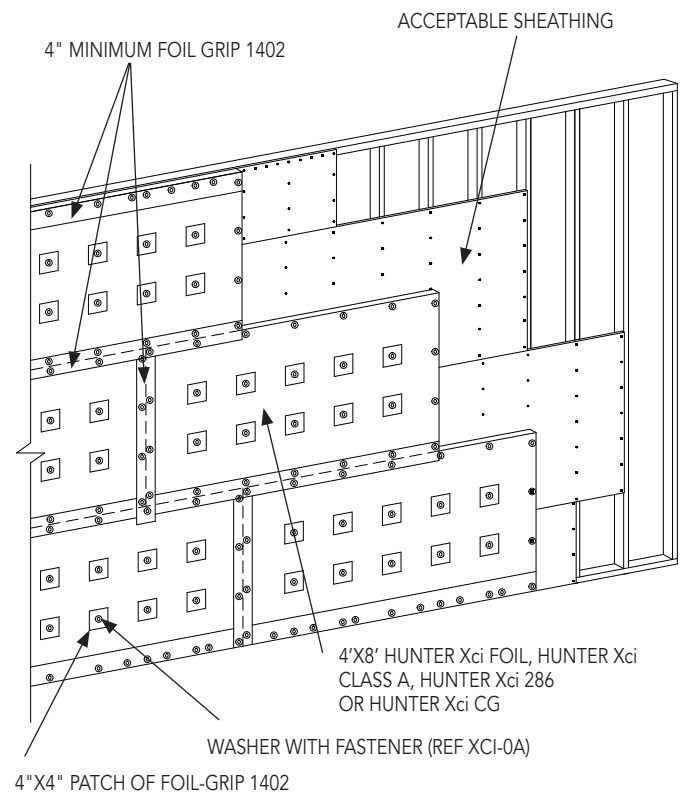
- Verify surface is clean and free of surface contaminants.
- Apply approved contact adhesive extending the material a minimum of 1" beyond the edge of the approved flashing.
- Cut the approved flashing to desired length and apply ensuring a minimum 3" overlap, avoiding formation of wrinkles or bubbles. Firmly roll the approved flashing with hand roller to strengthen adhesion.
- Sequence installation of approved flashing to form shingled laps.
- Provide a continuous air seal at window penetration.

### 4'x8' Polyiso Insulation Fastening Pattern

#### Installation of 4' x 8' Hunter Xci Polyiso Over Steel Stud/Standard or FRT Wood Framing with Exterior Gypsum/Plywood/ OSB Sheathing

**XCI AB1**

- 1 Begin at base of wall from firm, permanent, or temporary support.
- 2 Apply Hunter Xci polyiso horizontally in a running bond pattern using maximum board lengths to minimize number of joints. Offset Hunter Xci polyiso board joints minimum 6". Hunter Xci polyiso may be applied vertically as required.
- 3 Pre-cut Hunter Xci polyiso to fit openings and projections. Stagger vertical joints and corners. Stagger insulation and sheathing board joints minimum 6". Hunter Xci polyiso insulation boards are cut with a knife using a square to guide the cut or table saw.
- 4 Abut all joints tightly and ensure overall flush level surface.
- 5 Hunter Xci polyiso insulation board to framing member with appropriate length fastener min. 4 threads of the fastener into steel framing, min. 1" into wood framing, and min. 1/2" into plywood. Space fasteners 12" o.c. at perimeter and 16" o.c. in the field. Set back perimeter fasteners 3/8" from board edges and end. One washer may be used to bridge adjoining boards. Drive fasteners so that washer is tight and flush with the surface of the Hunter Xci polyiso but do not over tighten.



#### NOTES

- 1 Install approved fasteners (Ref XCI-0A) 16" O/C along stud line and 12" O/C on perimeter
- 2 Adhesive maybe used as a placement aid to facilitate installation
- 3 5" minimum vertical lap of FOIL-GRIP 1402, 3" minimum horizontal lap of FOIL-GRIP 1402
- 4 All fasteners shall be covered by FOIL-GRIP 1402 tape with tape ending at least 3/4" past edge of washer.



# HUNTER Xci POLYISOCYANURATE USED AS AN AIR BARRIER INSTALLATION GUIDELINES

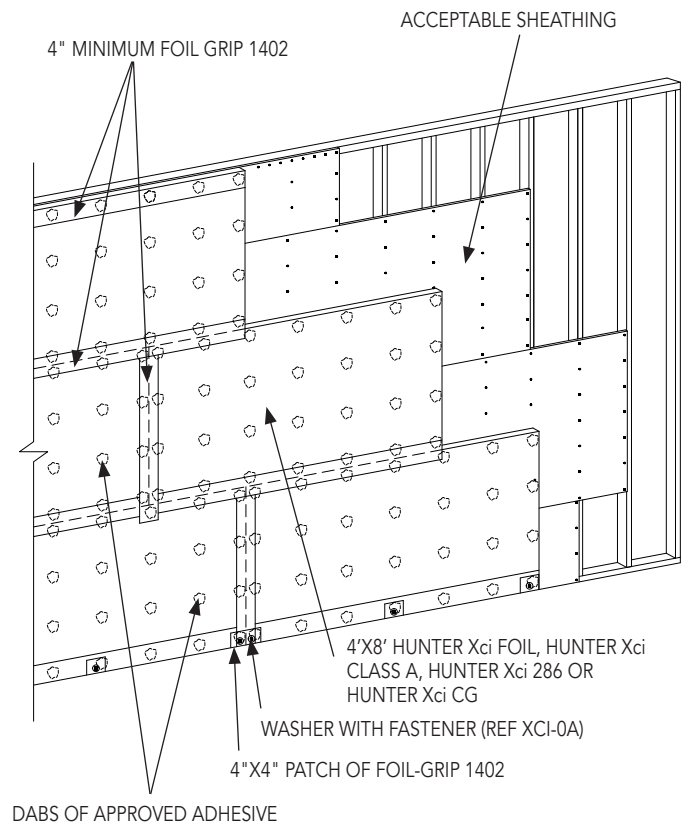
HUNTER  
CONTINUOUS INSULATION

## XCI AB2

### 4' x 8' Polyiso Insulation Adhesive Pattern

#### Installation of 4' x 8' Hunter Xci Polyiso Over Steel Stud/Standard or FRT Wood Framing with Exterior Gypsum/ Plywood/OSB Sheathing

- 1 Apply 3/8"-thick by 3" diameter dabs of approved adhesive to the back of Hunter Xci polyiso (side facing the sheathing) in 4 rows with a minimum of 7 dabs per row. Space adhesive dabs evenly across the length of the board at no more than 16" o.c. Space dabs in rows of no more than 16" o.c. and no more than 3" from board ends and edges. Immediately place insulation boards against the wall surface before adhesive Hunter Xci polyiso in 7 rows with a minimum of 4 dabs per row. Immediately place insulation boards against the wall surface before adhesive "skins. If adhesive skins, remove and apply fresh material. If Hunter Xci Polyiso is applied vertically, apply 3/8" by 3" diameter dabs of approved adhesive to the back of Hunter Xci polyiso in 7 rows with a minimum of 4 dabs per row following same requirements as above
- 2 Fill gaps between insulation boards with expanding spray foam or butter edge of board with approved sealant and strike flush. Expanding spray foam may also be applied onto the insulation board edges during installation. Ensure an air-tight installation is achieved.
- 3 Cut FOIL-GRIP 1402 to desired length and center over the joint ensuring a minimum 3" horizontal overlap and 5" vertical overlap, avoiding formation of wrinkles or bubbles. Firmly roll the FOIL- GRIP 1402 with hand roller to strengthen adhesion.
- 4 Sequence installation of FOIL-GRIP 1402 to form shingled laps.
- 5 Cut 4" x 4" square pieces of FOIL-GRIP 1402 and apply over insulation fasteners that have not been covered when treating the insulation board joints.
- 6 When applying veneer anchor brick-ties, FOIL-GRIP 1402 is applied under the brick-tie prior to mechanical installation.
- 7 Verify all materials are installed in accordance with current Hunter Panels published literature and local code requirements



## NOTES

- 1 3/8" thick by 3" diameter dabs of approved adhesive
- 2 Begin installation at base of wall from firm permanent or temporary support. Use washer with fasteners at base (Ref XCI 0A)
- 3 5" minimum vertical lap of FOIL-GRIP 1402, 3" minimum horizontal lap of FOIL-GRIP 1402

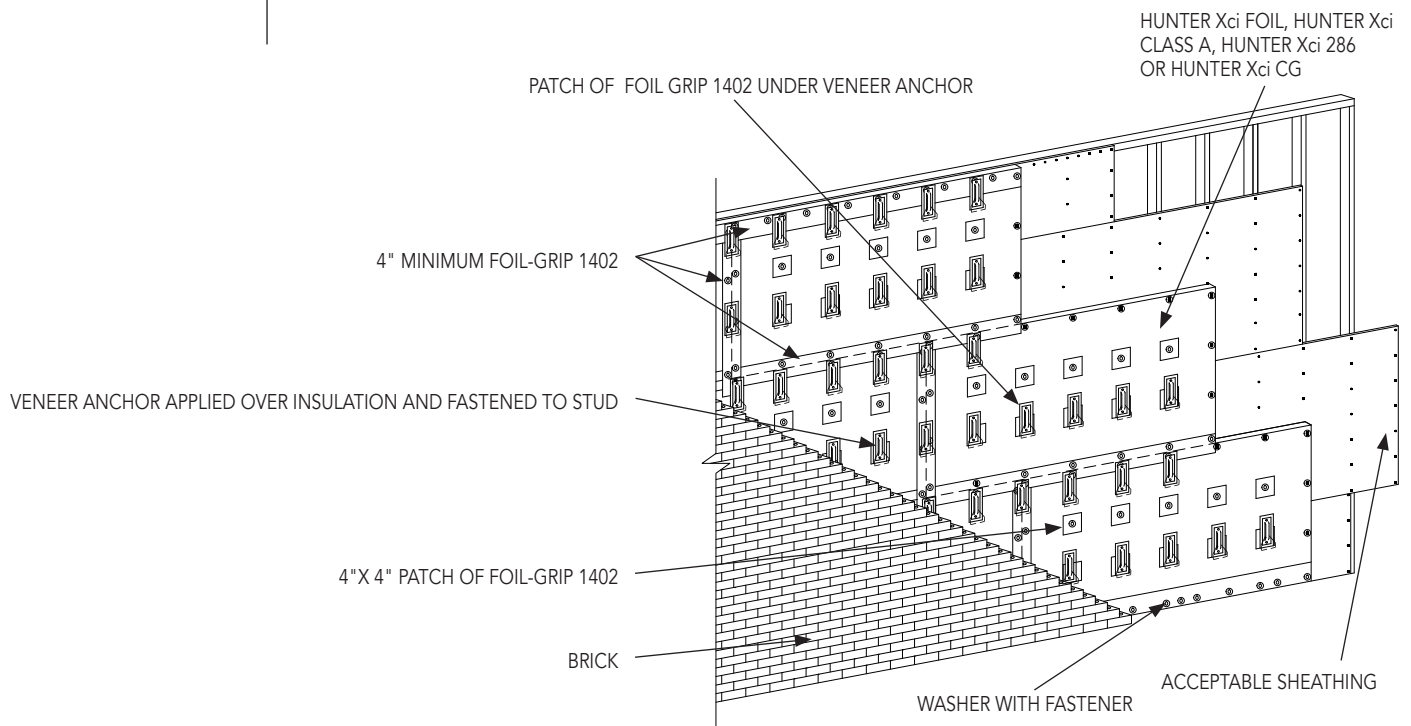
**4'x8' Polyiso Insulation With Brick Ties – A-B-C**

**XCI AB3 A**  
**XCI AB3 B**  
**XCI AB3 C**

- 1 Begin at base of wall from firm, permanent, or temporary support.
- 2 Pre-cut Hunter Xci polyiso to fit openings and projections. Stagger insulation and sheathing board joints minimum 6". Hunter Xci polyiso insulation boards are cut with a knife using a square to guide the cut or table saw.
- 3 Abut all joints tightly and ensure overall flush level surface.
- 4 Fill gaps between insulation boards with expanding spray foam or butter edge of board with approved sealant and strike flush. Expanding spray foam may also be applied onto the insulation board edges during installation. Ensure an airtight installation is achieved.
- 5 Verify all materials are installed in accordance with current Hunter Panels published literature and local code requirements.

**XCI AB3A**

**4' x 8' Polyiso Insulation with Brick-Ties**



**NOTES**

- 1 Follow Brick Tie Manufacturer installation instructions

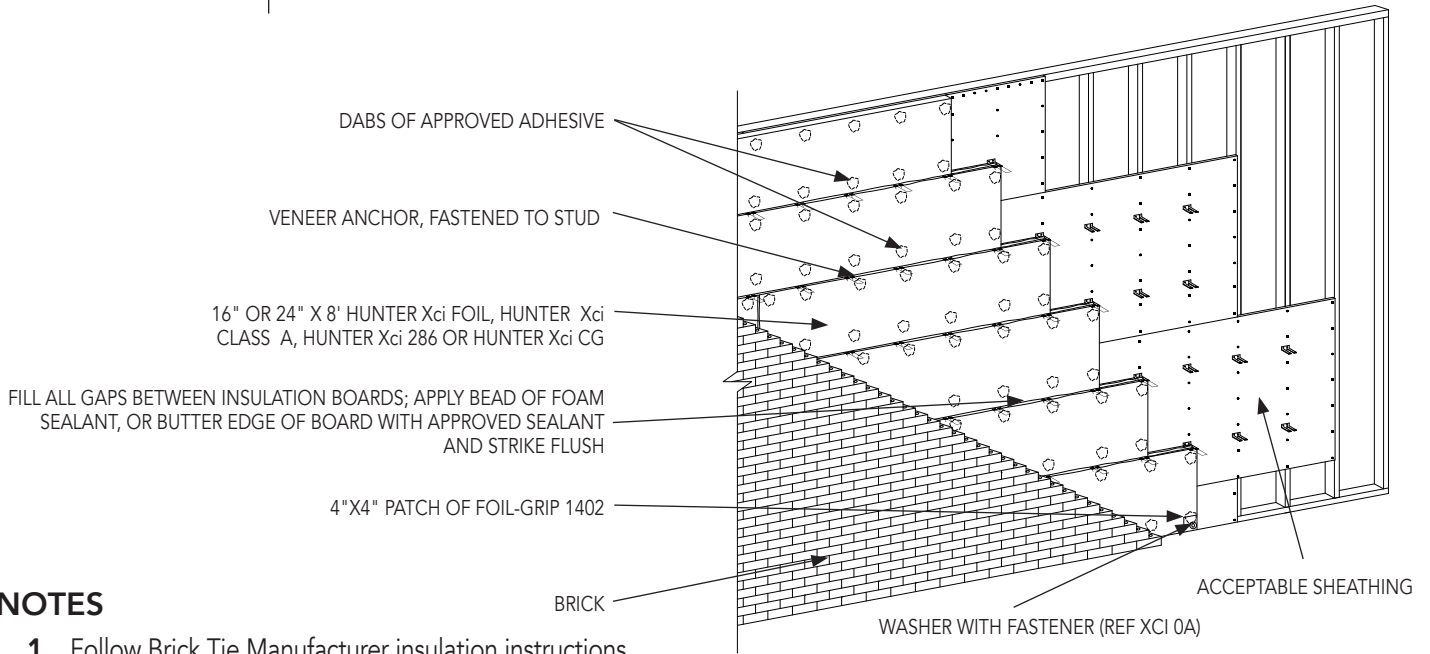


# HUNTER Xci POLYISOCYANURATE USED AS AN AIR BARRIER INSTALLATION GUIDELINES

HUNTER  
CONTINUOUS INSULATION

## XCI AB3B

### 16" or 24" Polyiso Insulation with Brick-Ties

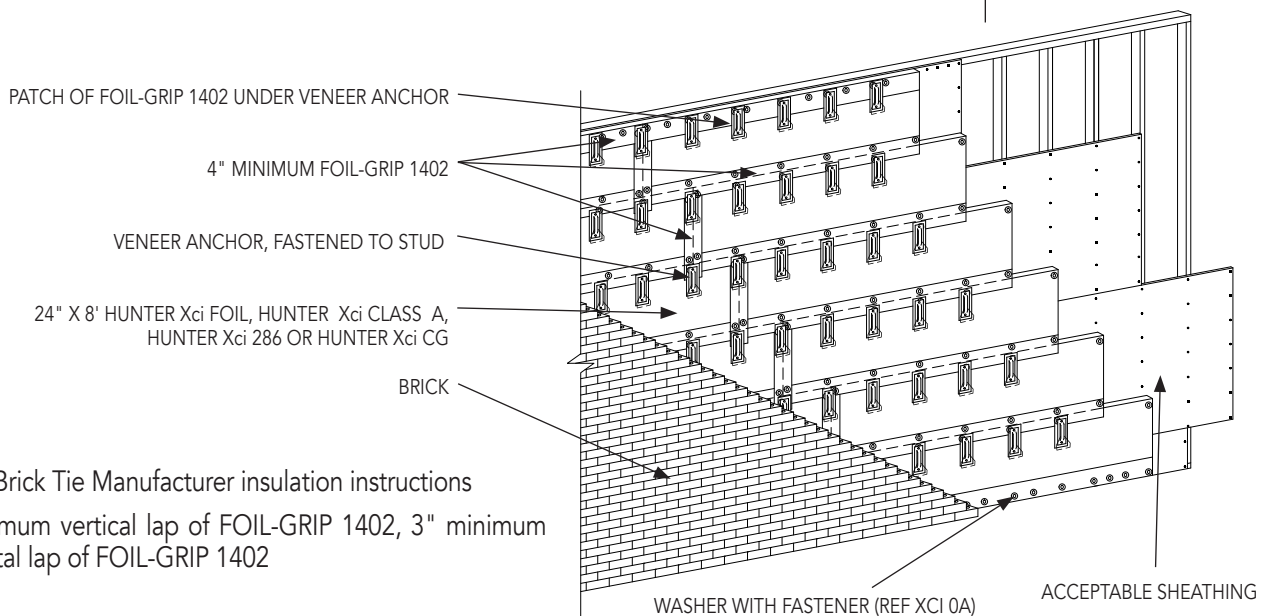


### NOTES

- 1 Follow Brick Tie Manufacturer insulation instructions

### 16" or 24" Polyiso Insulation with Brick-Ties

## XCI AB3C



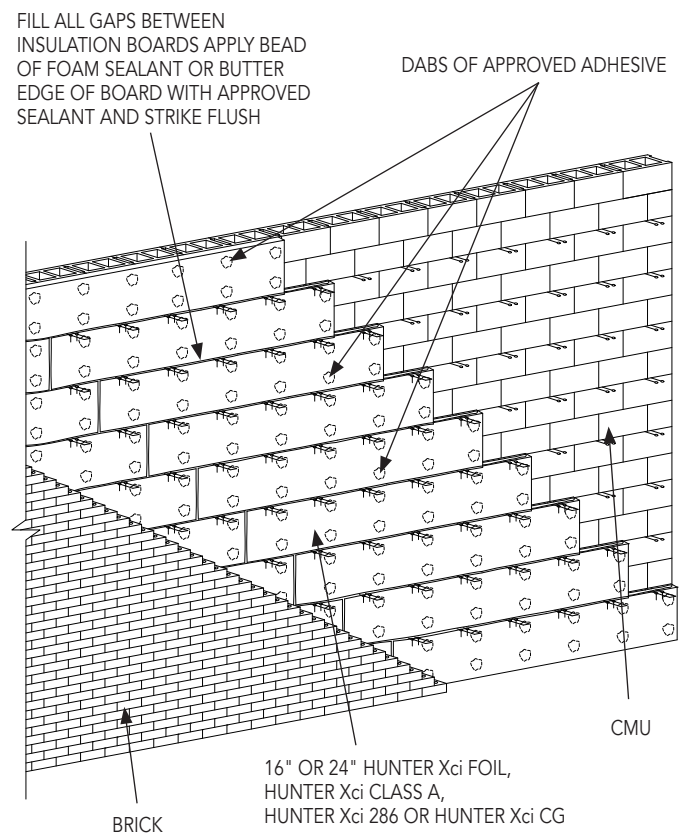
### NOTES

- 1 Follow Brick Tie Manufacturer insulation instructions
- 2 5" minimum vertical lap of FOIL-GRIP 1402, 3" minimum horizontal lap of FOIL-GRIP 1402

**Installation of 16" x 8' Hunter Xci Polyiso Over CMU  
and with Brick-Ties Already in Place**

**XCI AB4**

- 1 Begin at base of wall from firm, permanent, or temporary support.
- 2 Apply Hunter Xci polyiso horizontally in a running bond pattern using maximum board lengths to minimize number of joints. Offset Hunter Xci polyiso board joints minimum 6".
- 3 Pre-cut Hunter Xci polyiso to fit openings and projections. Stagger insulation and sheathing board joints minimum 6". Hunter Xci polyiso insulation boards are cut with knife using a square to guide the cut or table saw.
- 4 Abut all joints tightly and ensure overall flush level surface.
- 5 Apply 3/8" thick by 3" diameter dabs of approved adhesive to the back of Hunter Xci polyiso in 2 rows with a minimum of 7 dabs per row. Space adhesive dabs evenly across the length of the board at no more than 16" o.c. Space dabs in rows of no more than 12" o.c. and no more than 3" from board ends and edges. Immediately place insulation boards against the wall surface before adhesive "skins". If adhesive "skins" remove and apply fresh material.
- 6 Fill gaps between insulation boards with expanding spray foam or butter edge of board with approved sealant and strike flush. Expanding spray foam may also be applied onto the insulation board edges during installation. Ensure an airtight installation is achieved.
- 7 Verify all materials are installed in accordance with current Hunter Panels published literature and local code requirements



**NOTES**

- 1 Follow Brick Tie Manufacturer insulation instructions





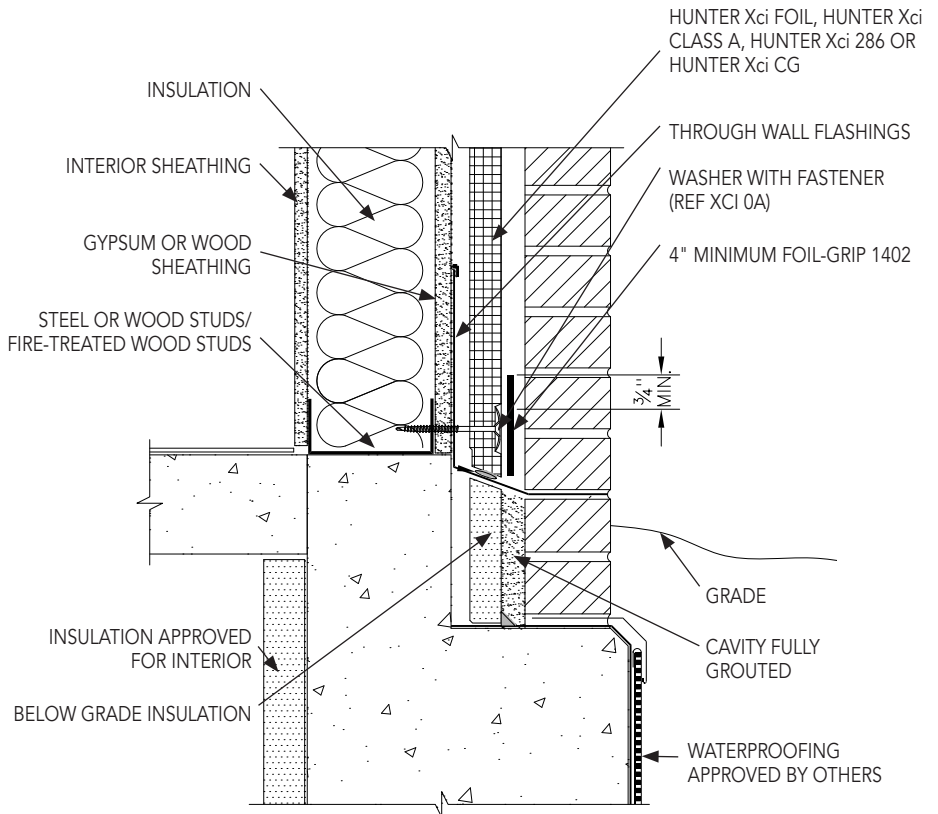
# HUNTER Xci POLYISOCYANURATE USED AS AN AIR BARRIER INSTALLATION GUIDELINES

HUNTER  
CONTINUOUS INSULATION

## XCI AB5

### Polyiso Insulation Foundation Tie-in

- 1 Verify sheathing has been properly installed. Report any deficiencies and ensure applicable repairs are conducted prior to Hunter Xci polyiso installation.
- 2 Install approved membrane through-wall flashing over the sheathing and apply a minimum 8" up the wall leaving the lower section loose. Incorporate termination bar and approved sealant as required.
- 3 Cut Hunter Xci polyiso with sloped top edge to support flashing. Mechanically or adhesively attach with minimum of one fastener or adhesive dab per linear foot.
- 4 Cut Hunter Xci polyiso at angle to align with previous applied piece and mechanically or adhesively attach following the specified fastening and adhesive patterns above.
- 5 Fill gaps between insulation boards with expanding spray foam or butter edge of board with approved sealant and strike flush. Expanding spray foam may also be applied onto the insulation board edges during installation. Ensure an airtight installation is achieved.
- 6 Apply approved sealant at through-wall flashing gap to ensure an air- and water-tight application is achieved.
- 7 Apply approved adhesive and adhere approved through-wall flashing over sloped edge of Hunter Xci polyiso and onto the brick.

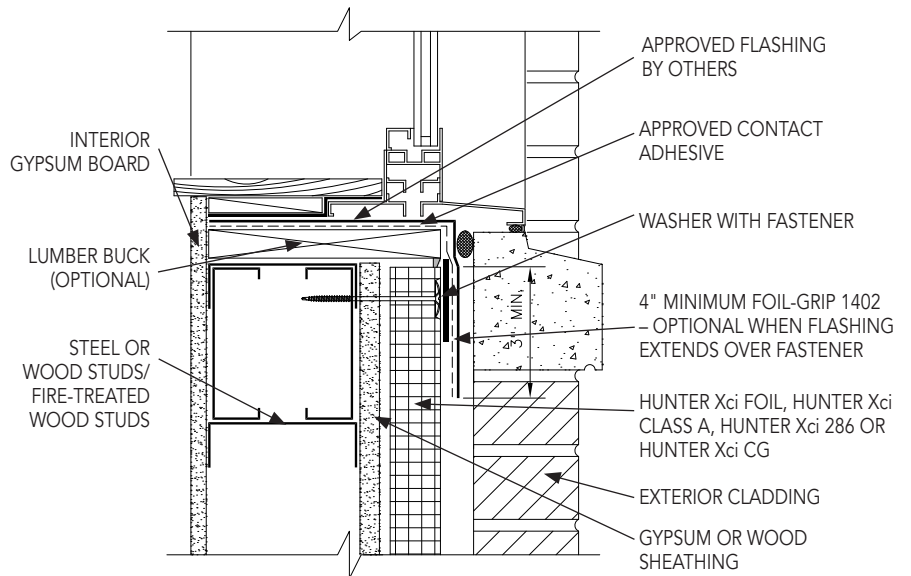




**Polyiso Insulation Punched Window - Sill**

**XCI AB6**

- 1 Verify sheathing has been properly installed. Report any deficiencies and ensure applicable repairs are conducted prior to Hunter Xci polyiso installation.
- 2 Install Hunter Xci polyiso tight against the window sill buck using either the mechanical or adhesive attachment method described above.
- 3 Fill gaps between insulation boards with expanding spray foam or butter edge of board with approved sealant and strike flush. Expanding spray foam may also be applied onto the insulation board edges during installation. Ensure an airtight installation is achieved.
- 4 Apply approved adhesive extending the material a minimum of 1" beyond the edge of the approved flashing material.
- 5 Cut the approved flashing material to desired length and apply over the rough opening framing and down onto the Hunter Xci polyiso insulation board, avoiding formation of wrinkles or bubbles. Firmly roll the flashing with hand roller to strengthen adhesion.
- 6 Verify a continuous air seal at window sill location will be achieved.
- 7 Ensure that the Hunter Xci Polyiso board joints are properly primed prior to application of the approved through flashing material.



**NOTES**

- 1 Space washer with fastener 12" o/c at window perimeter.

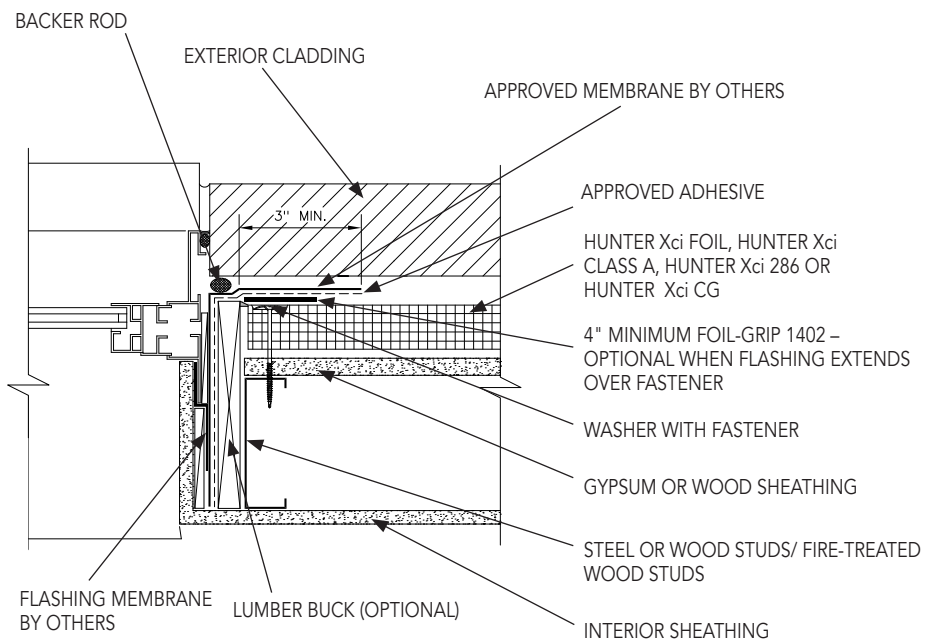


# HUNTER Xci POLYISOCYANURATE USED AS AN AIR BARRIER INSTALLATION GUIDELINES

HUNTER  
CONTINUOUS INSULATION

## XCI AB7 Polyiso Insulation Punched Window- Jamb

- 1 Verify sheathing has been properly installed. Report any deficiencies and ensure applicable repairs are conducted prior to Hunter Xci polyiso installation.
- 2 Install Hunter Xci polyiso tight against the window jamb buck using either the mechanical or adhesive attachment method described above.
- 3 Fill gaps between insulation boards with expanding spray foam or butter edge of board with approved sealant and strike flush. Expanding spray foam may also be applied onto the insulation board edges during installation. Ensure an airtight installation is achieved.
- 4 Apply approved adhesive extending the material a minimum of 1" beyond the edge of the approved flashing material.
- 5 Cut the approved flashing material to desired length and apply over the rough opening framing and down onto the Hunter Xci polyiso insulation board, avoiding formation of wrinkles or bubbles. Firmly roll the flashing with hand roller to strengthen adhesion.
- 6 Verify a continuous air seal at window jamb location will be achieved.
- 7 Ensure that the Hunter Xci polyiso board joints are properly primed prior to application of the approved flashing material in the rough openings.



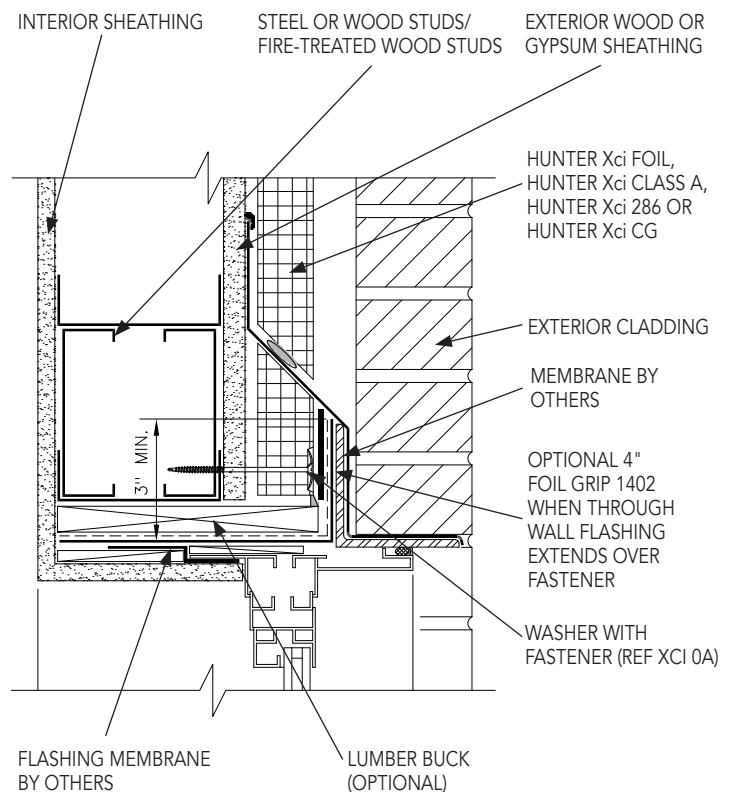
### NOTES

- 1 Space washer with fastener 12" O/C at window perimeter

**Polyiso Insulation Punched Window - Head**

**XCI AB8**

- 1 Verify sheathing has been properly installed. Report any deficiencies and ensure applicable repairs are conducted prior to Hunter Xci polyiso installation.
- 2 Fill gaps between insulation boards with expanding spray foam or butter edge of board with approved sealant and strike flush. Expanding spray foam may also be applied onto the insulation board edges during installation. Ensure an airtight installation is achieved.
- 3 Apply approved adhesive extending the material a minimum of 1" beyond the edge of the approved through-wall flashing.
- 4 Cut the approved through wall flashing to desired length and apply over the rough opening framing and over onto the Hunter Xci polyiso, avoiding formation of wrinkles or bubbles. Firmly roll the approved through wall flashing with hand roller to strengthen adhesion.
- 5 Brick ledge/lintel is applied in accordance to instructions.
- 6 Apply approved contact adhesive extending the material a minimum of 1" beyond the edge of the approved through wall flashing.
- 7 Install approved through-wall flashing over the sheathing leaving the lower section loose. Incorporate termination bar and approved sealant as required.
- 8 Cut Hunter Xci polyiso with sloped top edge to support flashing. Mechanically or adhesively attach with minimum of one fastener or adhesive dab per linear foot.
- 9 Install flashing/brick ledge per manufacturer's instructions.
- 10 Apply approved contact adhesive and adhere approved through-wall flashing over sloped edge of Hunter Xci polyiso and onto the flashing/brick ledge.
- 11 Cut Hunter Xci polyiso at angle to align with previous applied piece and mechanically or adhesively attach following the specified fastening and adhesive patterns above.
- 12 Apply approved sealant at through-wall flashing gap to ensure an air- and water-tight application is achieved.



**NOTES**

- 1 Spacer washer with fastener 12" O/C at window perimeter
- 2 Install end dams at ends of flashing.
- 3 Ensure drainage path is maintained and left unobstructed.



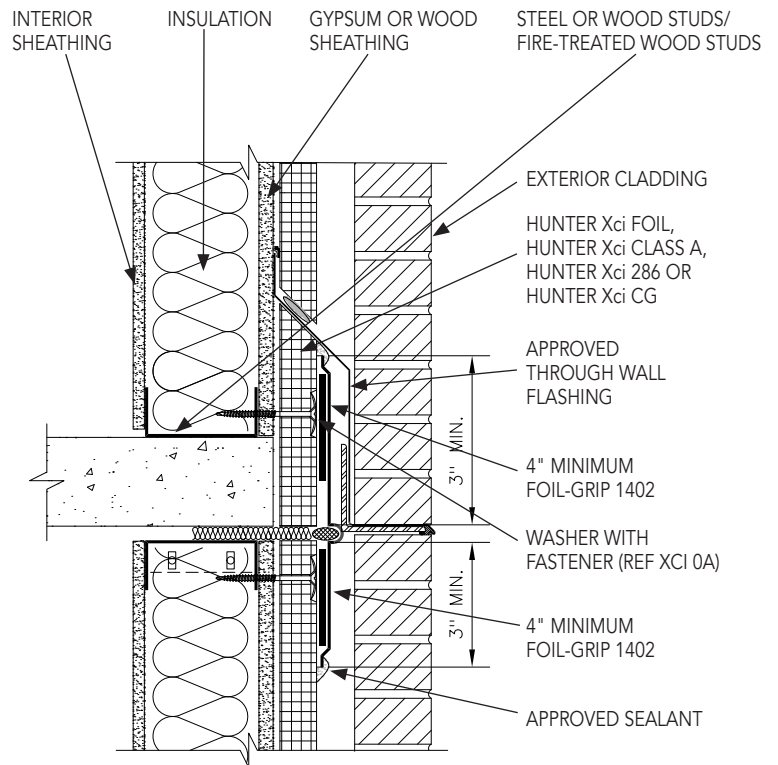
# HUNTER Xci POLYISOCYANURATE USED AS AN AIR BARRIER INSTALLATION GUIDELINES

HUNTER  
CONTINUOUS INSULATION

## XCI AB9

### Polyiso Insulation Shelf Angle

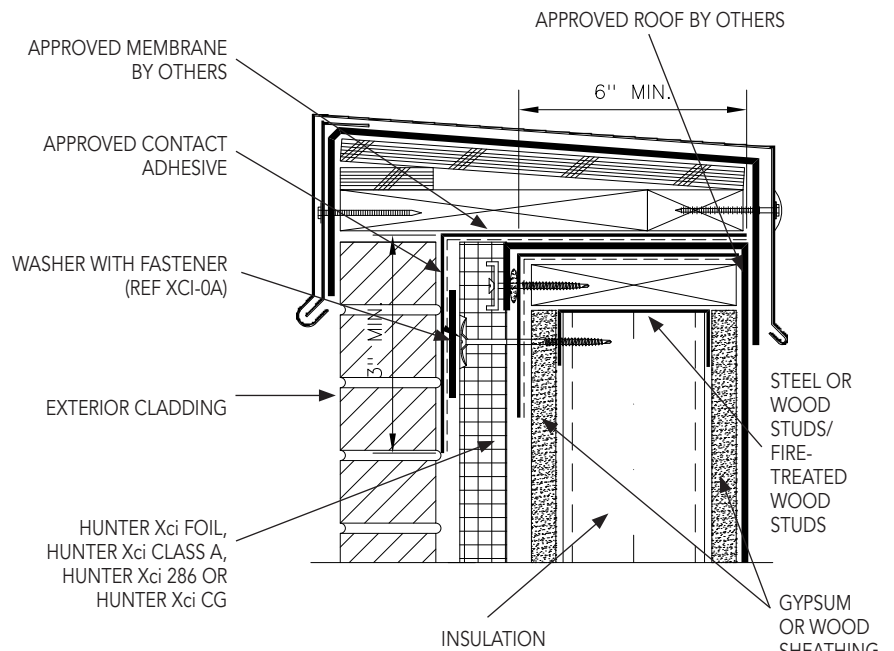
- 1 Verify sheathing has been properly installed. Report any deficiencies and ensure applicable repairs are conducted prior to Hunter Xci polyiso installation.
- 2 Apply approved adhesive extending the material a minimum of 1" beyond the edge of the approved through-wall flashing.
- 3 Install approved through-wall flashing over the sheathing leaving the lower section loose. Incorporate termination bar and approved sealant as required.
- 4 Cut Hunter Xci polyiso with sloped top edge to support flashing. Mechanically or adhesively attach with minimum of one fastener or adhesive dab per linear foot.
- 5 Fill gaps between insulation boards with expanding spray foam or butter edge of board with approved sealant and strike flush. Expanding spray foam may also be applied onto the insulation board edges during installation. Ensure an airtight installation is achieved.
- 6 Install flashing/brick ledge per manufacturer's instructions.
- 7 Apply approved adhesive and adhere approved through-wall flashing over sloped edge of Hunter Xci polyiso and onto the flashing/brick ledge.
- 8 Cut Hunter Xci polyiso at angle to align with previous applied piece and mechanically or adhesively attach following the specified fastening and adhesive patterns above.
- 9 Apply approved sealant at through-wall flashing gap to ensure an air- and water-tight application is achieved.



Polyiso Insulation at Parapet

XCI AB10

- 1 Verify sheathing has been properly installed. Report any deficiencies and ensure applicable repairs are conducted prior to Hunter Xci polyiso installation.
- 2 Install Hunter Xci polyiso tight against parapet blocking using either the mechanical or adhesive attachment method described above.
- 3 Fill gaps between insulation boards with expanding spray foam or butter edge of board with approved sealant and strike flush. Expanding spray foam may also be applied onto the insulation board edges during installation. Ensure an airtight installation is achieved.
- 4 Apply approved adhesive extending the material a minimum of 1" beyond the edge of the approved wall flashing.
- 5 Cut wall flashing to desired length and apply over the Hunter Xci polyiso insulation board and up onto the parapet blocking, avoiding formation of wrinkles or bubbles. Firmly roll the flashing with hand roller to strengthen adhesion.
- 6 Verify a continuous air seal at parapet location is achieved (the roofing membrane will typically-applied over the wall flashing).
- 7 Verify that the Hunter Xci polyiso insulation board joints are treated prior to application of the flashing strips in the rough openings.



NOTES

- 1 Ensure roofing is in place and that the building is dried in prior to Hunter Xci polyiso installation



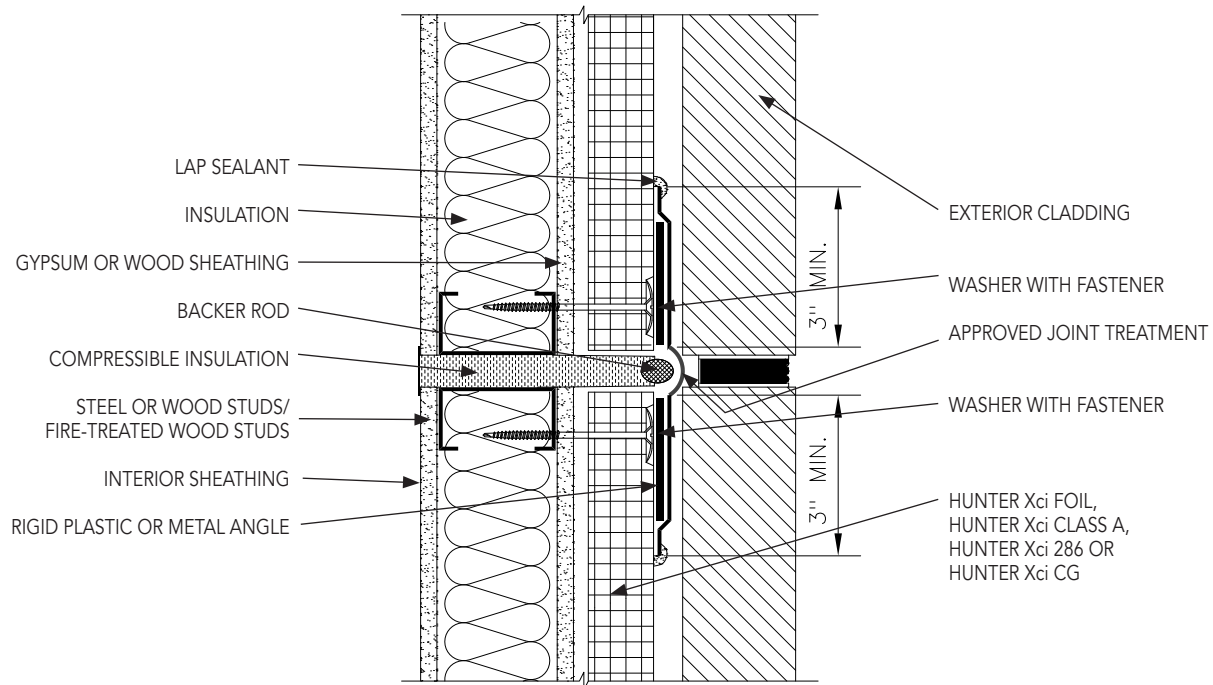
# HUNTER Xci POLYISOCYANURATE USED AS AN AIR BARRIER INSTALLATION GUIDELINES

HUNTER  
CONTINUOUS INSULATION

## XCI AB11

### Vertical Expansion Joint

- 1 Verify sheathing has been properly installed. Report any deficiencies and ensure applicable repairs are conducted prior to Hunter Xci polyiso installation.
- 2 Install Hunter Xci polyiso using either the mechanical or adhesive attachment method described above.
- 3 Fill gaps between insulation boards with expanding spray foam or butter edge of board with approved sealant and strike flush. Expanding spray foam may also be applied onto the insulation board edges during installation. Ensure an air-tight installation is achieved.
- 4 Install closed-cell backer rod into the joint protruding from the Hunter Xci polyiso insulation board to create an expansion bulb. Compressible insulation is also used to fill the void.
- 5 Apply approved primer extending the material minimum 1" beyond the edge of the approved joint treatment.
- 6 Cut approved joint treatment to desired length and apply ensuring a minimum 3" bearing onto each side of the joint, avoiding formation of wrinkles or bubbles. Firmly roll the approved joint treatment with hand roller to strengthen adhesion.
- 7 Overlap approved joint treatment a minimum of 3" horizontally and vertically and use approved primer at all splices.
- 8 Verify a continuous air seal is achieved at expansion joint location.



### NOTES

- 1 Expansion joint placement and design is per the design professional.

# HUNTER Xci POLYISOCYANURATE USED AS AN AIR BARRIER INSTALLATION GUIDELINES

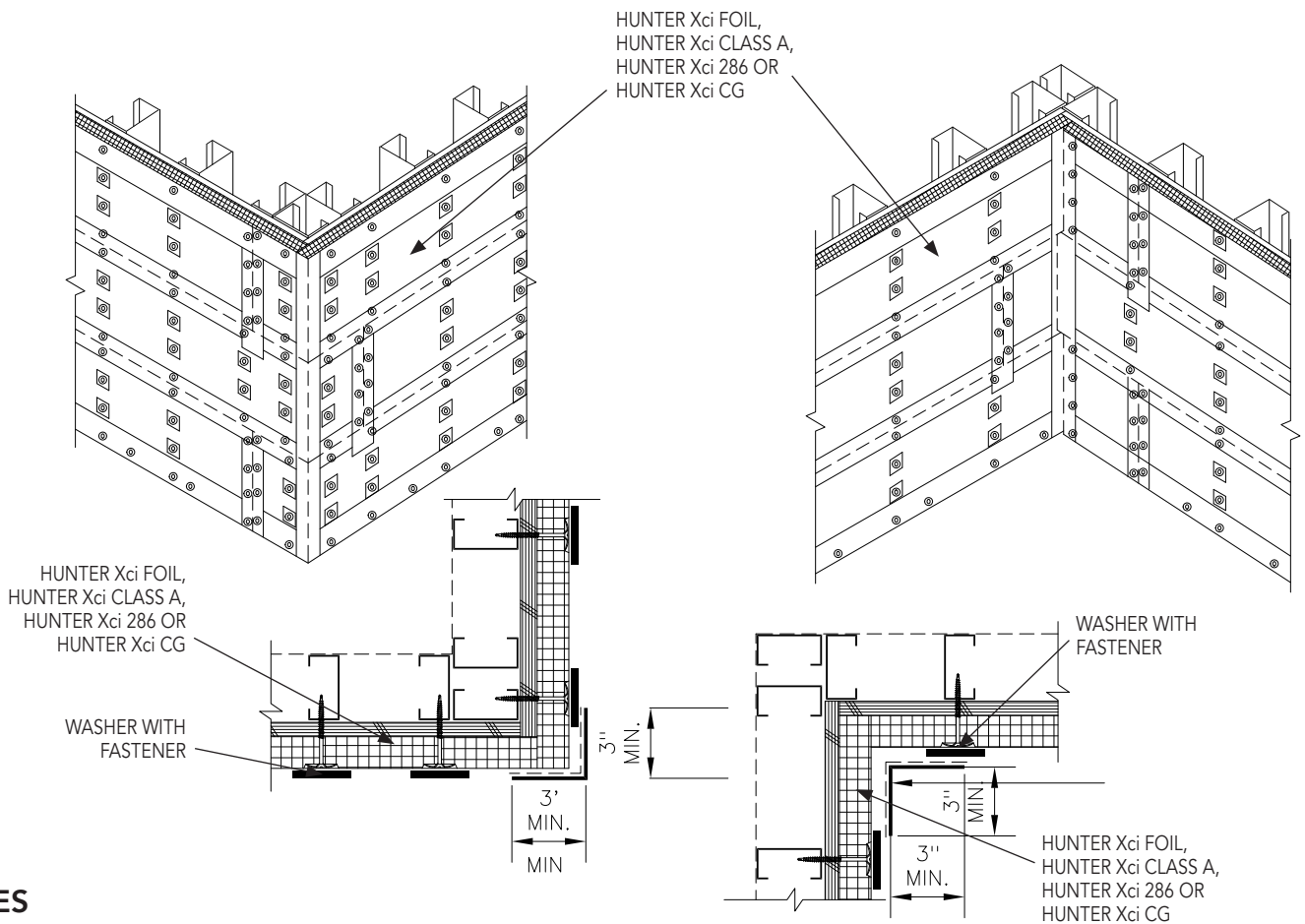


HUNTER  
CONTINUOUS INSULATION

## Outside/Inside Corners

## XCI AB12

- 1 Verify sheathing has been properly installed. Report any deficiencies and ensure applicable repairs are conducted prior to Hunter Xci polyiso installation.
- 2 With factory edges exposed, stagger vertical joints at inside and outside corners, interlocking each row of Hunter Xci polyiso. Make sure the corners are straight and plumb. Use either the mechanical or adhesive attachment method outlined above.
- 3 Fill gaps between insulation boards with expanding spray foam or butter edge of board with approved sealant and strike flush. Expanding spray foam may also be applied onto the insulation board edges during installation. Ensure an airtight installation is achieved.
- 4 Apply approved adhesive extending the material a minimum of 1" beyond the edge of the approved flashing
- 5 Cut approved flashing to desired length and center over the Hunter Xci polyiso insulation board ensuring a minimum 3" bearing onto each side of the corner. Firmly roll the approved flashing with hand roller to strengthen adhesion.
- 6 Verify a continuous air seal at corners is achieved.



### NOTES

- 1 Expansion joint placement and design is per the design professional.



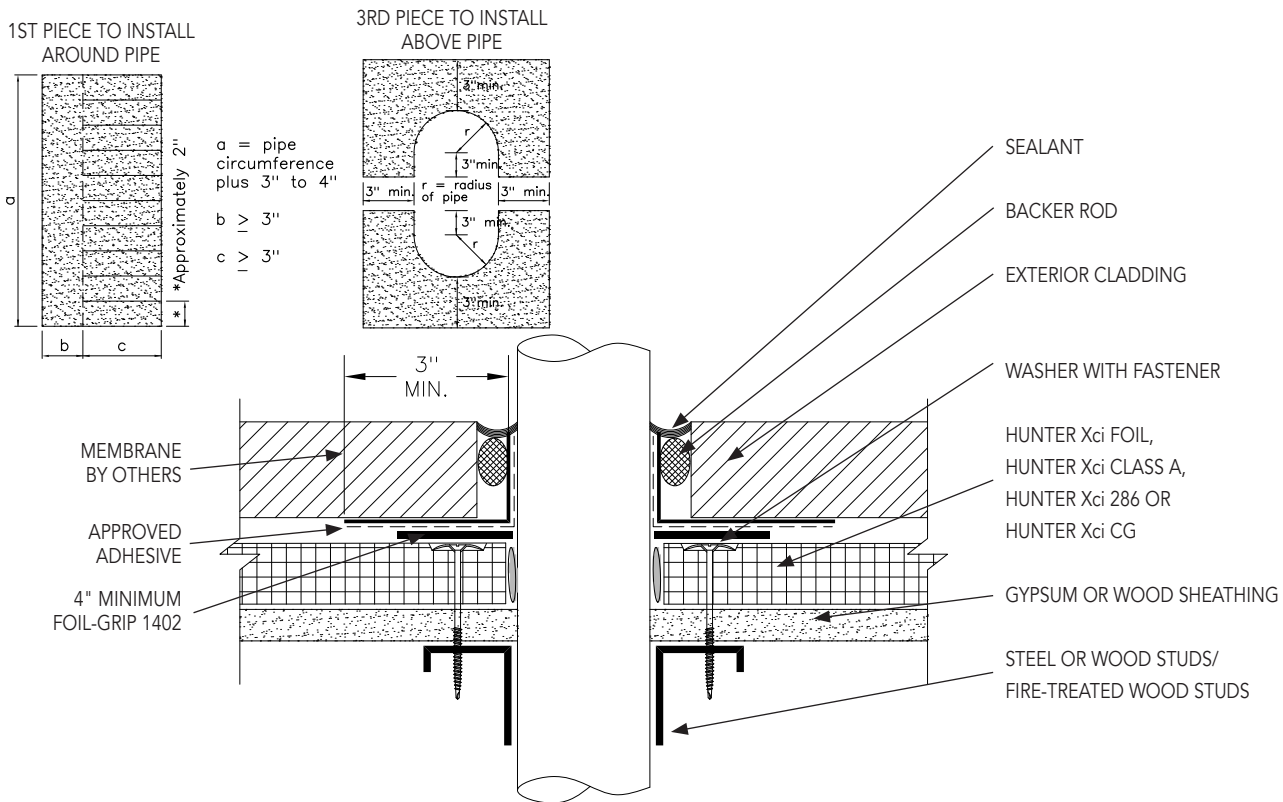


# HUNTER Xci POLYISOCYANURATE USED AS AN AIR BARRIER INSTALLATION GUIDELINES

HUNTER  
CONTINUOUS INSULATION

## XCI AB13 Mechanical/Electrical Penetrations

- 1 Verify sheathing has been properly installed. Report any deficiencies and ensure applicable repairs are conducted prior to Hunter Xci polyiso installation.
- 2 Rub the face of the mechanical/electrical box with chalk, place the Hunter Xci polyiso into place and thump the face. The profile of the box will be left on the facing. Cut along the marks and mechanically or adhesively attach the Hunter Xci polyiso as outlined above.
- 3 Fill gaps between insulation boards with expanding spray foam or butter edge of board with approved sealant and strike flush. Expanding spray foam may also be applied onto the insulation board edges during installation. Ensure an airtight installation is achieved.
- 4 Cut FOIL-GRIP 1402 and apply around the penetration. Firmly roll the FOIL-GRIP 1402 with hand roller to strengthen adhesion. Use the "hula skirt" application technique as indicated.
- 5 Verify a continuous air seal at penetration is achieved.

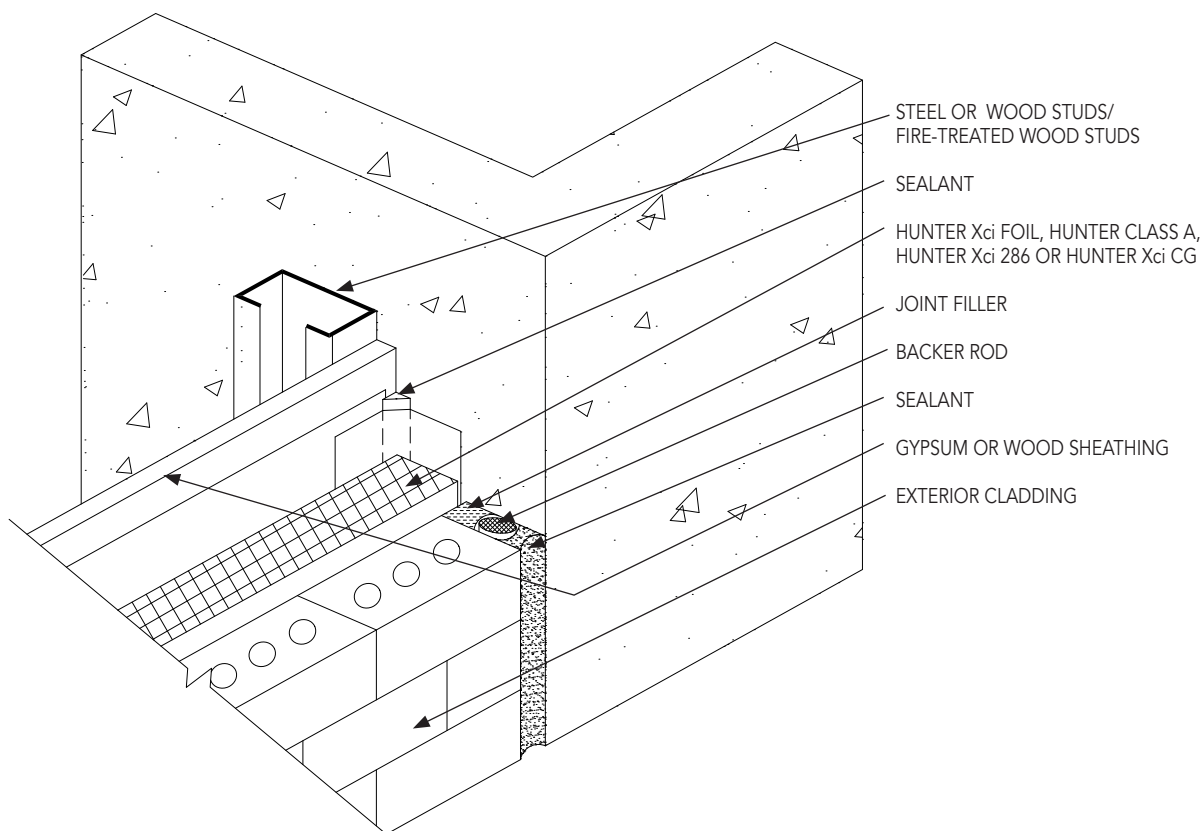




## Termination at Existing Construction

## XCI AB14

- 1 Verify air/vapor/water resistive barrier is properly installed and a pinhole void free application has been achieved. Report any deficiencies and ensure applicable repairs are conducted prior to Hunter Xci application.
- 2 Install Hunter Xci polyiso to the existing using either the mechanical or adhesive attachment method described above. An expansion joint may be required at the abutment, verify with the design professional.
- 3 Fill gaps between insulation boards with expanding spray foam or butter edge of board with approved sealant and strike flush. Expanding spray foam may also be applied onto the insulation board edges during installation. Ensure an airtight installation is achieved.
- 4 Verify a continuous air seal at abutment is achieved.





# HUNTER Xci POLYISOCYANURATE USED AS AN AIR BARRIER INSTALLATION GUIDELINES

---

HUNTER  
CONTINUOUS INSULATION

## Repair and Protection

Repair damage to the insulation by cutting out and replacing damage with new Hunter Xci polyiso, or filling smaller damage with foam or caulking sealant. Mechanically fastened repairs will require that the Hunter Xci polyiso be brought to the nearest framing member/stud so that proper fastening pattern can be maintained. If the facer of our product is being used as an air barrier the repair will need to be taped with an impermeable tape at least 4" wide, such as Foil Grip 1402 tape. Maximum recommended outdoor exposure of Hunter Xci Foil, Hunter Xci CG, Hunter Xci 286 and Hunter Xci Class A and accessory products is 60 days.

Permitted outdoor exposure can be extended by covering Hunter Xci polyiso with mechanically attached building wrap. Cover Hunter Xci polyiso with cladding as soon as schedule allows.

# HUNTER Xci POLYISOCYANURATE USED AS AN AIR BARRIER INSTALLATION GUIDELINES



HUNTER  
CONTINUOUS INSULATION

## XCI INSULATION FASTENER SPECIFICATIONS

Insulation Product	Substrate	Screw	Washer	Minimum Penetration of Screw into Substrate
Hunter Xci Foil, Hunter Xci Class A, Hunter Xci 286 Hunter Xci CG	Steel Stud, 12 to 20 gauge	#2 Bugle Head Phillips or equivalent size, single thread, with self-tapping point	Minimum 1 3/4" diameter plastic, low profile, compress & hold insulation	Minimum 4 threads through steel stud
	Wood Studs/ Fire-Treated Wood Studs	#2 Bugle Head Phillips or equivalent size, single thread, sharp-point wood screw		Minimum 1" depth into wood stud
	Wood Sheathing			All the way through sheathing + 3/8"
	Concrete, Concrete Block or Masonry, Option 1	#2 Bugle Head Phillips or equivalent size, high & low hardened cutting threads with pyramid point		Minimum 1 1/2" depth into concrete, concrete block or masonry
	Concrete, Concrete Block or Masonry, Option 2	Plastic screw		

Manufacturer	Products
Rodenhouse, Inc.	Thermal-Grip® CI Washers fitted with Grip-Deck® Screws, Plasti-Grip® PMF Fasteners for concrete/masonry substrates
Wind-Lock®	CI-Lock